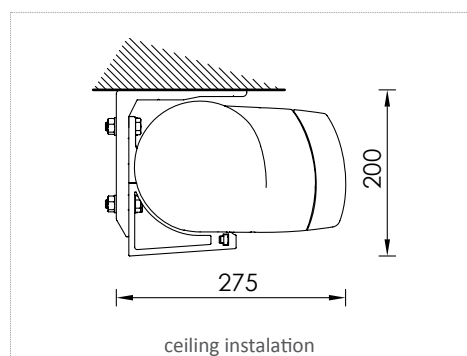
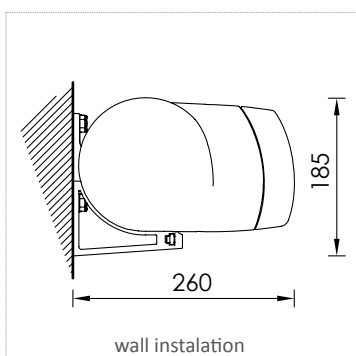


ARMONI

MODULAR CASSETTED AWNING



| | |
|--------------------------------------|------------------------|
| Max. širina / max width | 1200cm |
| Max. izbačaj / max projection | 410cm |
| Nagib / Angle | 5 - 80° |
| Osovina / roller tube | f70, f78 |
| Platno / fabric | AKRIL / Acrylic fabric |
| Pokretanje / drive | Motor |
| Otpornost na vodu / water resistance | 1 |
| Otpornost na vetar / wind resistance | 1 |



ARMONI

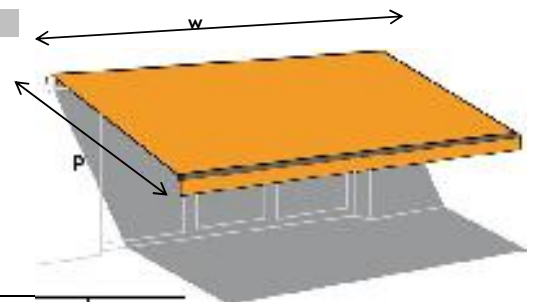
MODULAR CASSETTED AWNING



WIND RESISTANCE CLASS ACCORDING TO THE EUROPEAN STANDARD UNI EN 13561

KASETNA TENDA ARMONI Wind resistance classes

| | | | | | | | | |
|----------------------|-----|-----|-----|-----|-----|------|------|------|
| width/ projection | 500 | 600 | 700 | 800 | 900 | 1000 | 1100 | 1200 |
| 160 | | | | | | | | |
| 210 | | | | | | | | |
| 260 | | | | | | | | |
| 310 | | | | | | | | |
| 360 | | | | | | | | |
| 410 | | | | | | | | |



| Wind resistance | | | | | |
|-----------------|-------------------------------|-----------|----------------------|------------------|-------------------|
| Class | Maximum wind velocity km/h | m/s | Force | max awning width | max projection |
| 1 | 10-27 km/h | 5.5-7.4 | 40 N/m ² | 600 | 410 |
| 2 | 28-37 km/h | 7.5-10.4 | 70 N/m ² | 600 | 360 |
| 3 | 38-48 km/h | 10.5-13.4 | 110 N/m ² | | |

*optimal wind speed at which sensor closes the awning is 8-10m/s.
Maximum wind speed is 16m/s (60km/h).
Minimum wind speed is 2,8m/s (10km/h).

Wind resistance Class 1: Awnings suitable for areas with a wind level of maximum 28 km / h.
Wind resistance Class 2: Awnings suitable for areas with a wind level of maximum 38Kmh/h.
Wind resistance Class 3: Awnings suitable for areas with a wind level of maximum 49Kmh/h.