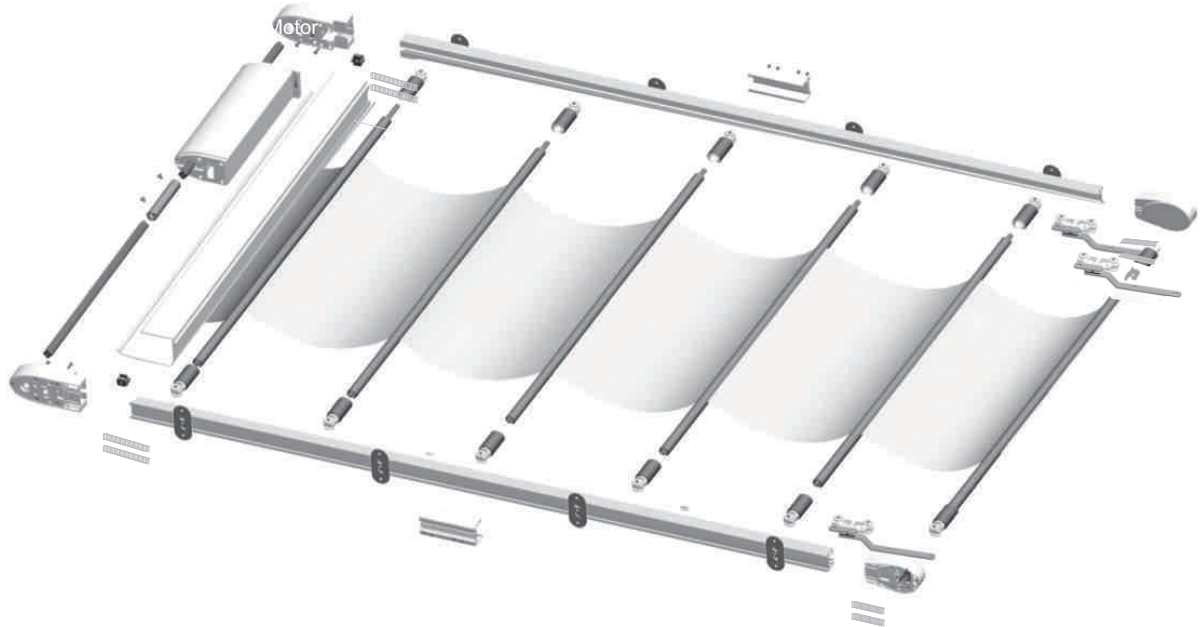


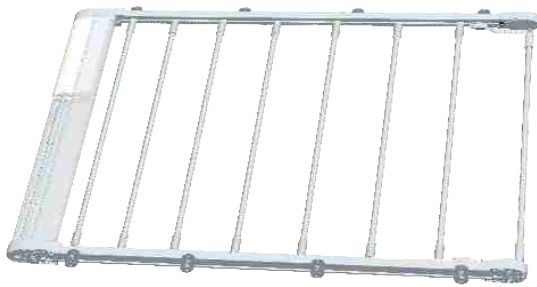
HELIO

FOLDING SKYLIGHT SHADE WITH ALUMINIUM TRACKS

The fabric is water wavelike as open and folds together as close up.
The system is driven by the steel or strap and supplied power by high quality motor.
The system has the characteristics of steady, low noise and flexible operation
Suitable for the building sunshade of civil and middle or small public space.



Folding Skylight track - Single open mode, Double open mode

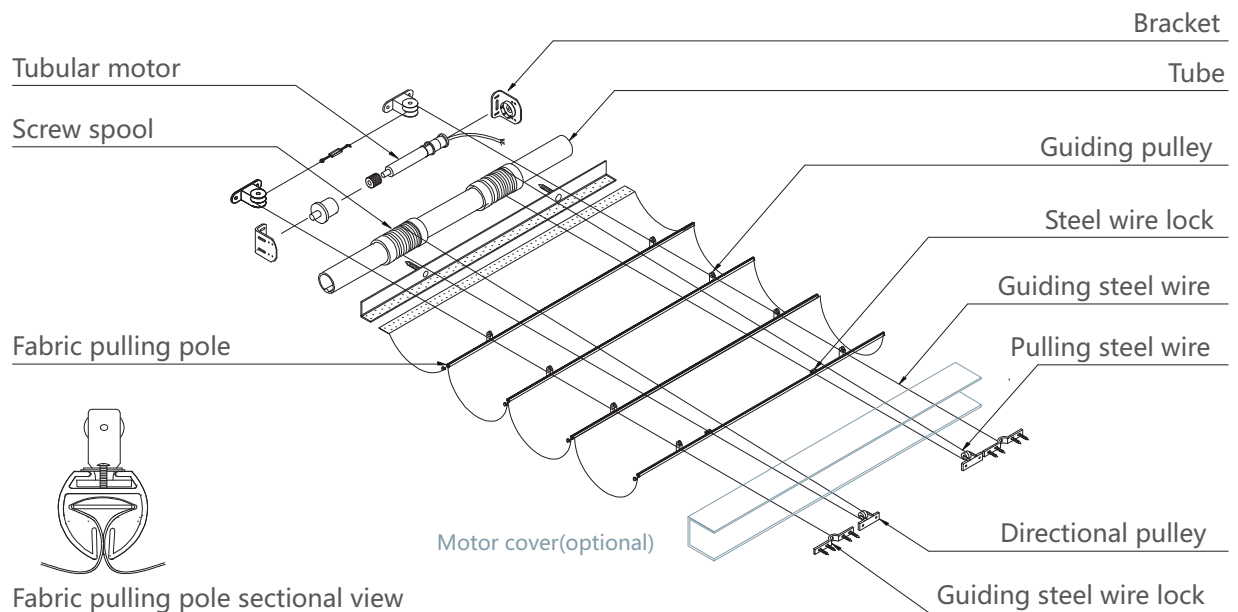


HELIO FCS

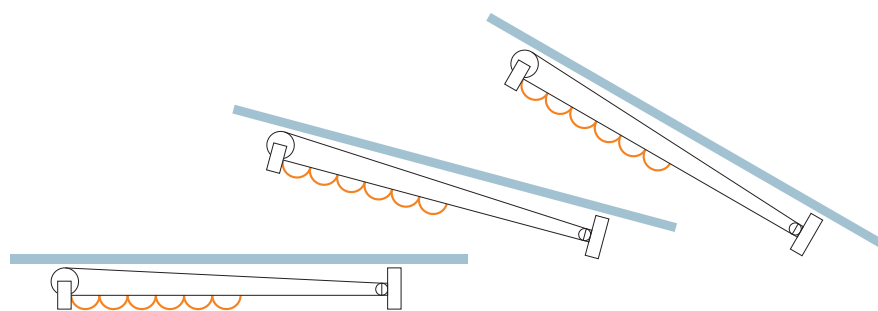
FOLDING SKYLIGHT SHADE (steel wire guiding)

- FCS Folding Skylight Shade system use the technology of fabric be folded and pulled as a single cycle, it includes drive system, fabric and remote control system.
- Drive system has one side as dynamic port, using tubular motor drive the tube and spool turning.

FCS Folding Skylight Shade (Steel wire guiding)



- It can install at any place in the middle
- The width for one blind is 0.7-3.5m
- The length is $\leq 10\text{m}$
- The single area is $\leq 35\text{m}^2$.



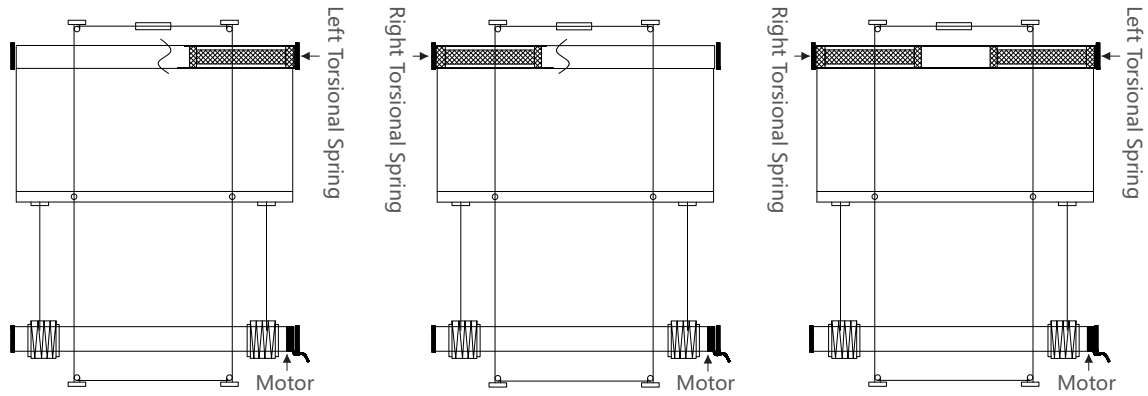
FCS Folding Skylight Shade (Installation method)



HELIO FSS

SKYLIGHT TENSILE SHADE SYSTEM

- FSS Skylight Shade system uses single motor with elastic technology mechanism, which is designed in level and slant or curved glass skylight system.
- It's mainly make up of tubular motor and elastic tensile force system, one side use tubular motor and the other side use strong spring, make the fabric keep flat and stretching.

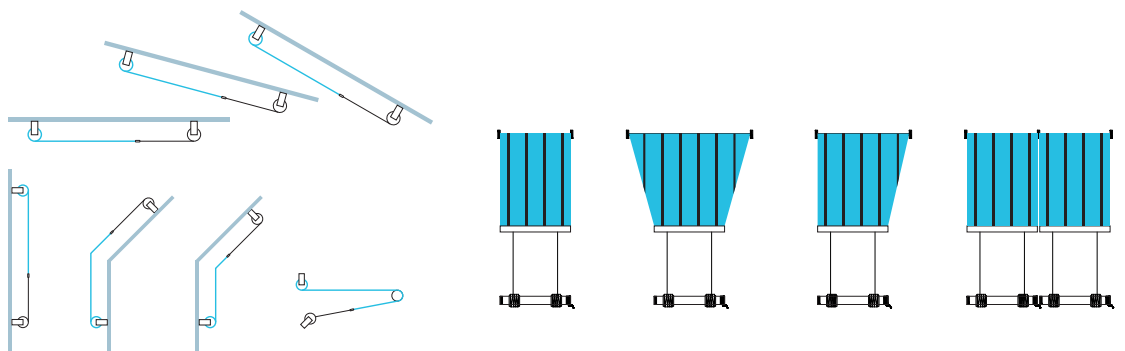


Single spring structural drawing

Single spring structural drawing

Double spring structural drawing

- It can install at any place in the middle
- The width for one blind is 0.7-3.0m
- The length is $\leq 9m$
- The single area is $\leq 27m^2$



FSS skylight (installation method)

